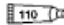
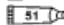
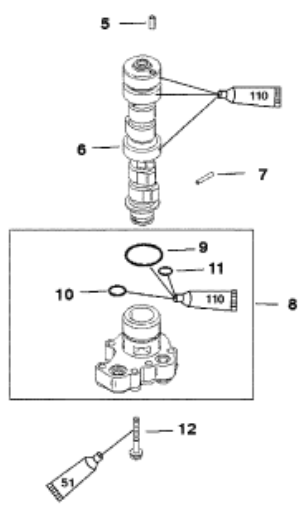
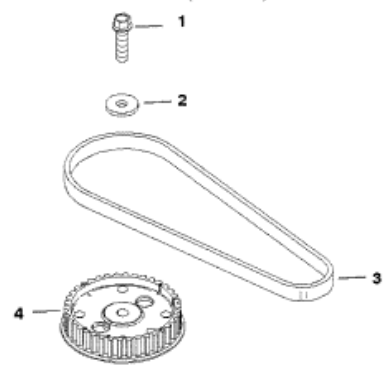


-  4-stroke Outboard Oil (92-828000A12)
-  Loctite '222' Small Screw Threadlocker (92-809818)



Parts List						
Ref	Class	Part	Description	Qty	Comment	Footnote
1	10	827611 40	SCREW (M8 X 40 X 1.25)	1		3
2	12	40023 19	WASHER	1		3
3		831294	BELT	1		
4		833104	GEAR-DRIVEN	1		3
5	17	825956	DOWEL PIN	1		3
6	2419	830275 1	CAMSHAFT	1	(ELECTRIC)	3
6	406	853894A 1	CAMSHAFT	1	(MANUAL)	3
7	17	826149	PIN	1		3
8		852388A 1	OIL PUMP ASSEMBLY	1		3
9	25	826152	O RING	1		3,5
10	25	826154	O RING	1		3,5
11	25	826153	O RING	1		3,5
12	10	825009 35	SCREW (M6 X 35)	4		3
-	27	830270A98	GASKET SET	1		
-		830271A 3	CYLINDER HEAD	1	(ELECTRIC)	
-		830271A 4	CYLINDER HEAD	1	(MANUAL)	